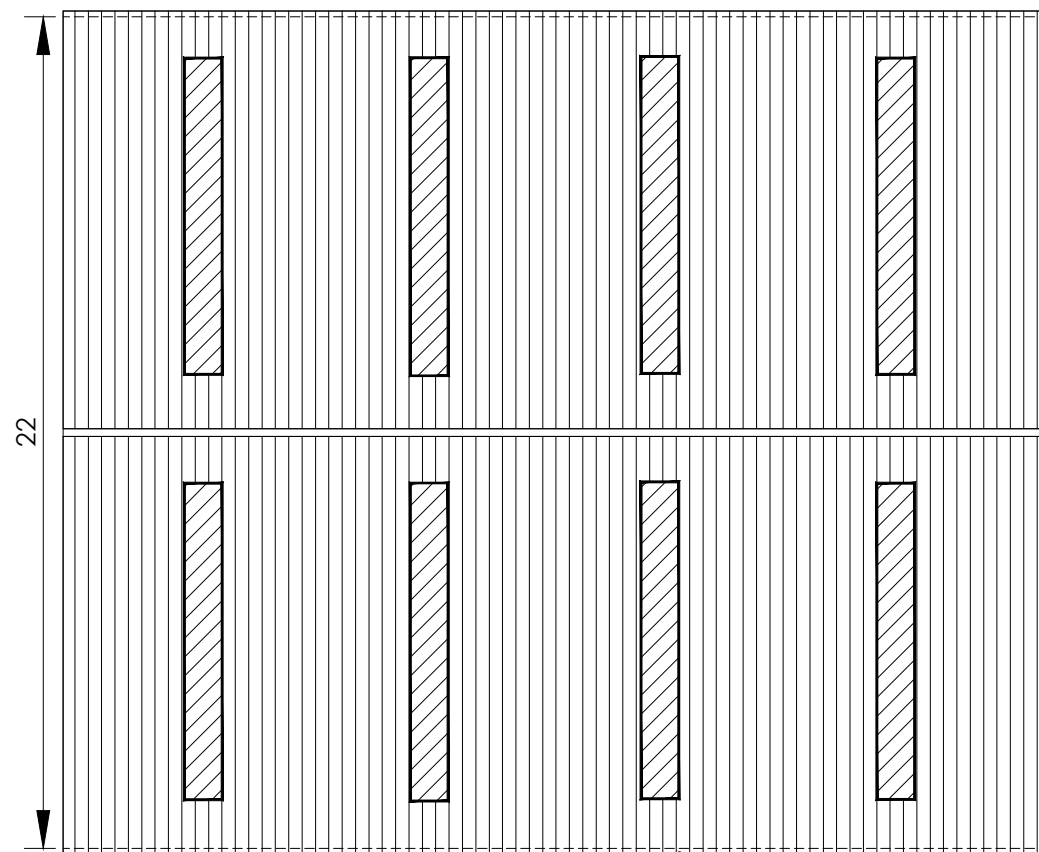
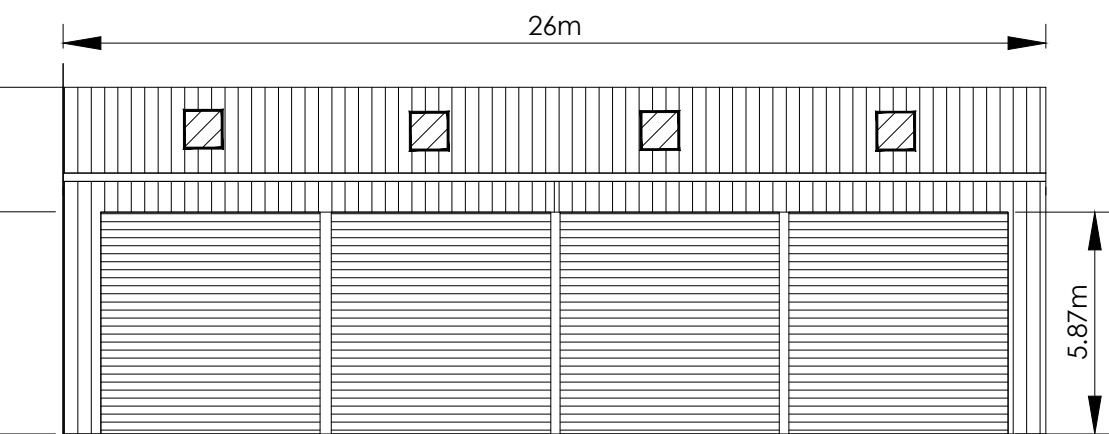


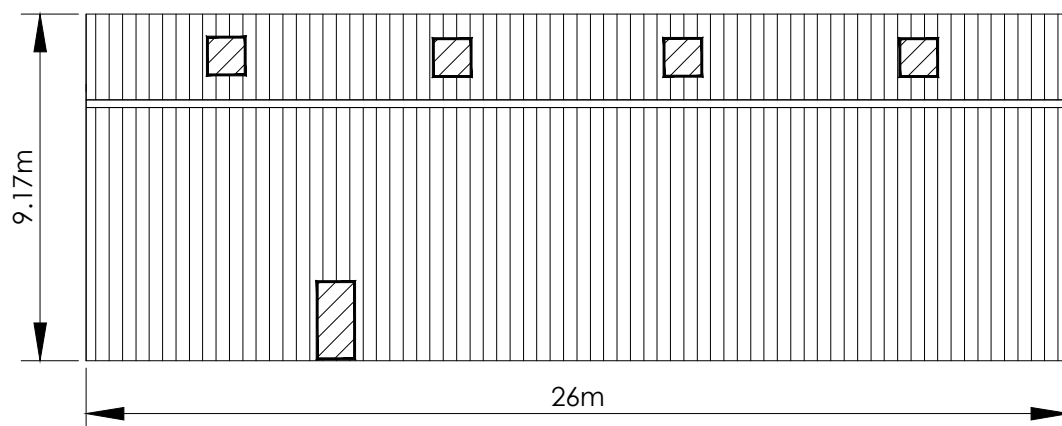
Roof Plan



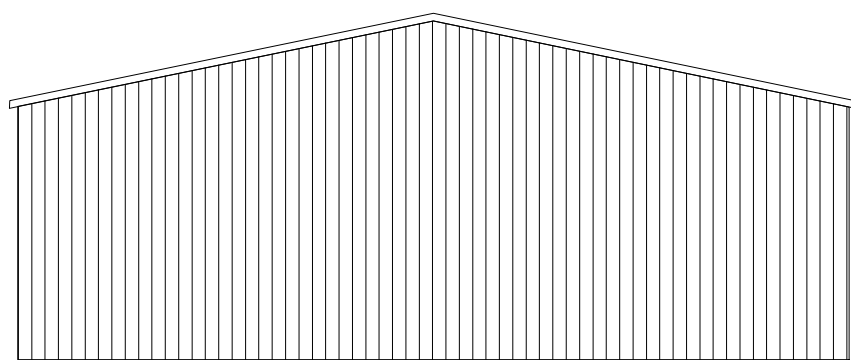
North Elevation



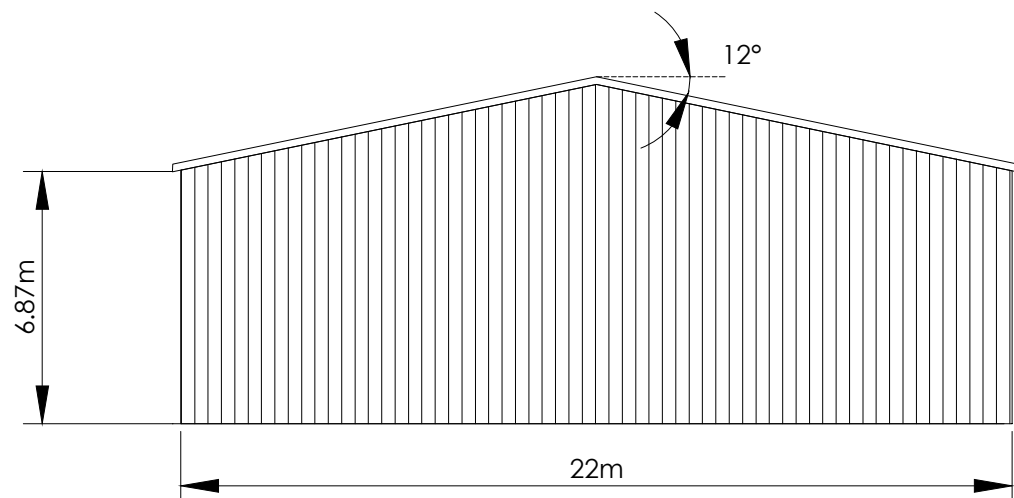
South Elevation



West Elevation



East Elevation



rev: A | date: 15/12/21 | details: Increasing height of doors & building

corylus
Planning & Environmental Ltd.
The Old Dairy
Yanworth
Cheltenham
Gloucestershire
GL54 3LQ
tel: 01285 721072

client: Collard Group

project: Nursling Recycling Centre

title: Proposed Workshop - Plan and Elevations

scale: 1:200	date: 28/09/21	drawn by: NG	checked by: AW	size: A3
project ref: 277	dwg no: 277/13	rev: A		